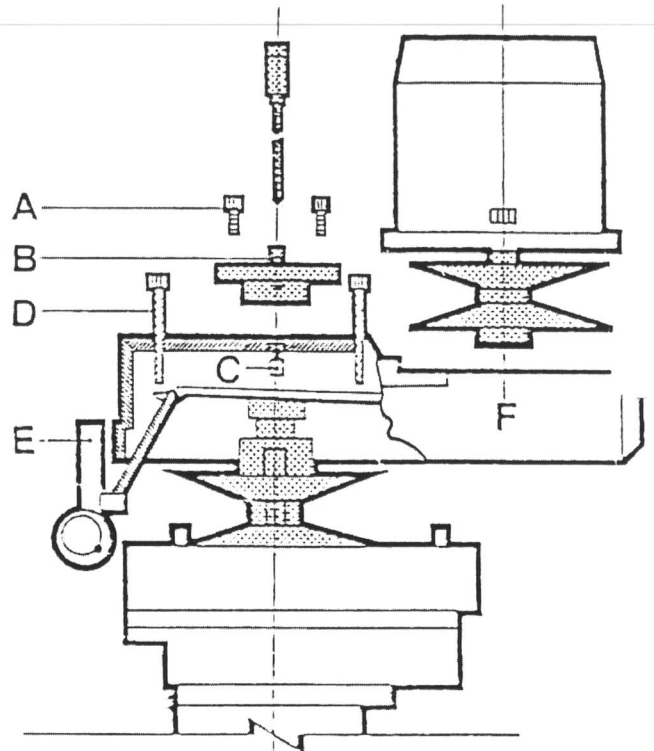


MAINTENANCE

DRIVE BELT REPLACEMENT

1. Remove the motor.
2. Remove the three screws "A", insert into the adjacent tapped holes and withdraw bearing housing "B".
3. Remove two screws and sleeves "C".
4. Remove four screws "D".
5. Remove screws "E".
6. Remove top housing "F", tap to clear the dowels.
7. Replace the belt.



TIMING BELT REPLACEMENT

1. Remove the motor.
2. Lower the quill to full extent.
3. Remove the two screws "A" from the speed changer housing.
4. Remove the four screws "B".
5. Remove the top assembly "C" and tap to clear dowels.
6. Replace the belt.

