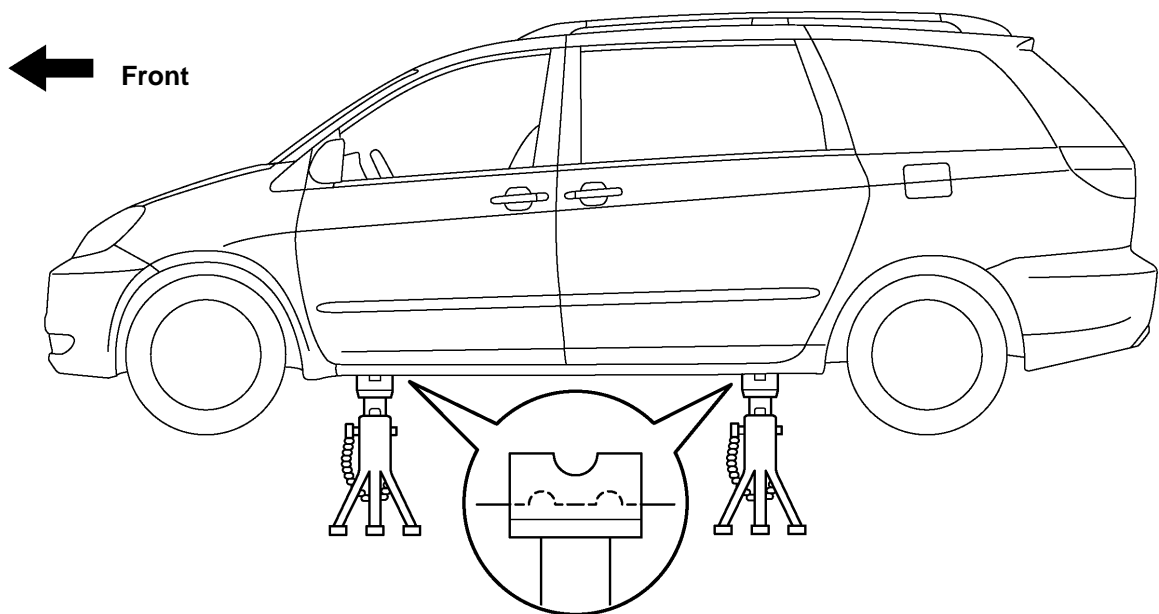
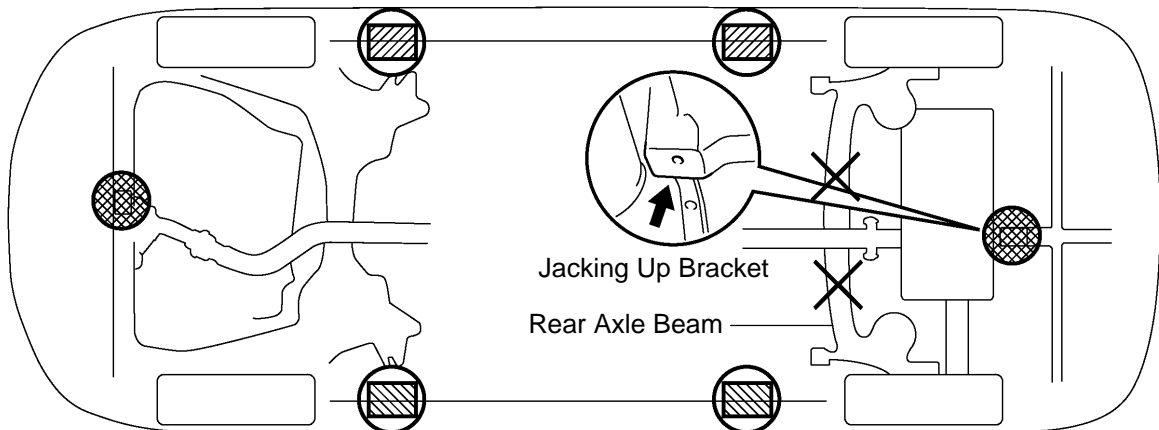


VEHICLE LIFT AND SUPPORT LOCATIONS

2WD



JACK POSITION _____

Front - - - - - Front suspension member

Rear - - - - - Jacking up bracket

CAUTION : When jacking up the front and rear, make sure the vehicle is not carrying any extra weight.

NOTICE :

Do not jack up at the center of the rear axle beam. If the vehicle is lifted at the center of the rear axle beam, the rear axle beam will be damaged.

PANTOGRAPH JACK POSITION _____



SUPPORT POSITION

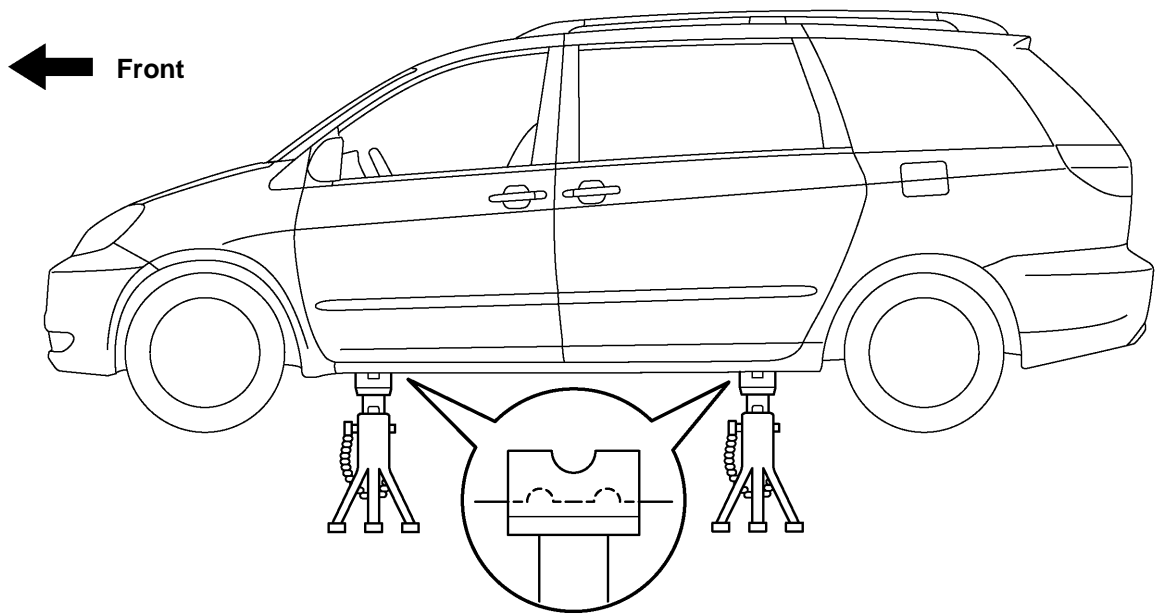
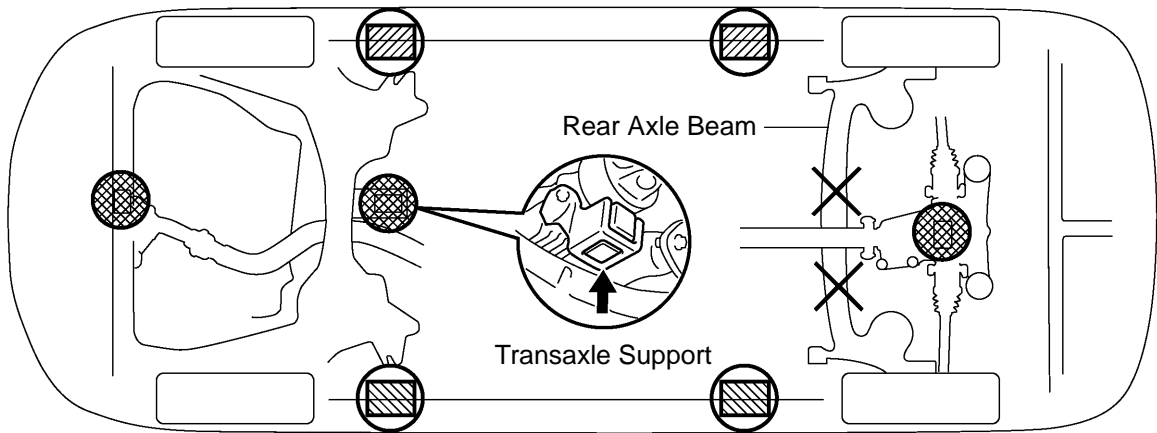
Safety stand and swing arm type lift - - - - -



Y

D30725

4WD



JACK POSITION

- Front ----- Front suspension member and/or transaxle support
- Rear ----- Rear differential support

CAUTION : When jacking up the front and rear, make sure the vehicle is not carrying any extra weight.

NOTICE :

Do not jack up at the center of the rear axle beam. If the vehicle is lifted at the center of the rear axle beam, the rear axle beam will be damaged.

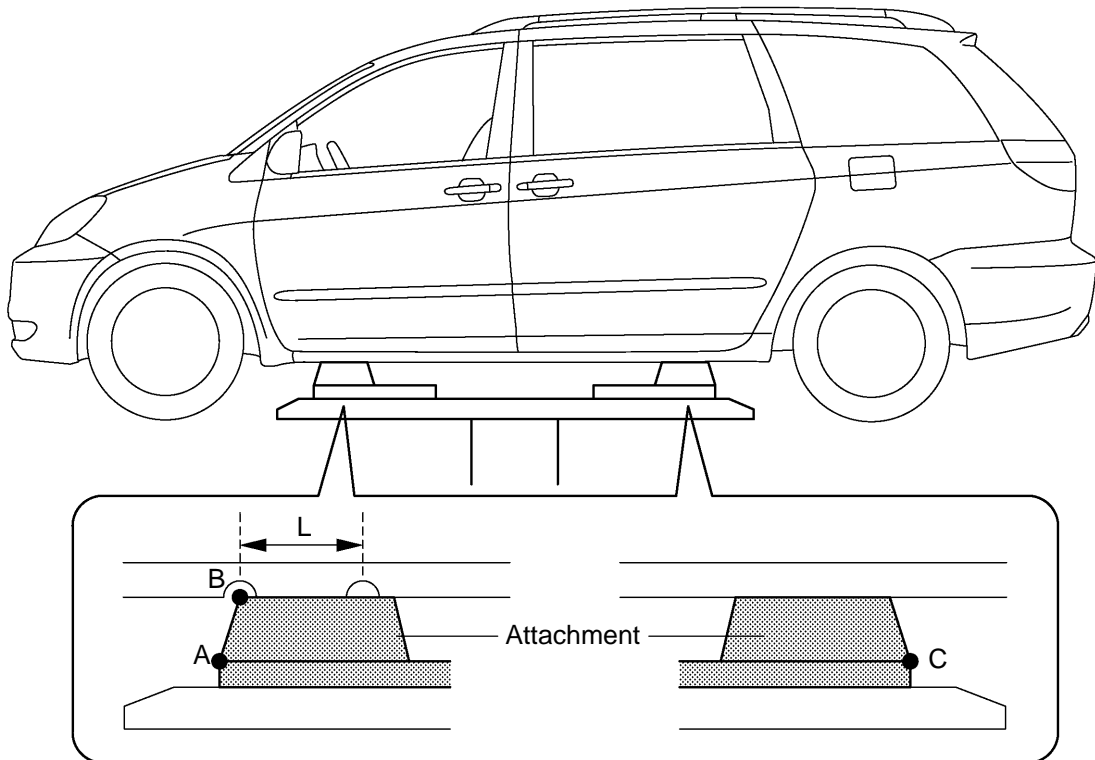
PANTOGRAPH JACK POSITION

SUPPORT POSITION

- Safety stand and swing arm type lift -----



Plate Type Lift



NOTICE:

Set the rear side attachment so that it is behind the parting line between front door and sliding door.

HINT:

Left and right set position

Place the vehicle over the center of the lift.

Front and rear set position

- Align the cushion gum ends of the plate with the attachment lower ends (A, C).
- Align the attachment upper end (B) with the front jack supporting point (L).

Attachment dimensions

